

Universal Off-Highway Control – HY-TTC 60

General Description

HY-TTC 60 is a powerful electronic control solution for off-highway industries that is well-suited for the rough conditions in which it is used. It is part of a complete and compatible product family and is protected by a compact, automotive-style housing suited to mobile applications.

Specifications

Parameter		Unit
ECU Dimensions	147.6 x 180.3 x 39.8	mm
Dimensions for minimum connector release clearance	197.7 x 202.8 x 39.8	mm
Weight	about 650	g
Operating Temperature	- 40 to +85 (full load) - 40 to +105 (lim. load)	°C
Operating Altitude	0 to 4000	m
Supply Voltage	8 to 32	V
Peak Voltage	45	V _{max}
Idle Current	0.15 at 9V	A _{max}
Standby Current	0.5	mA _{max}
Current	25	A _{max}
Fulfills the following standards		
CE-Mark	2014/30/EU	
E-Mark	ECE-R10 Rev.4	
EMC	ISO13766, up to 200 V/m, 20 MHz to 1GHz	
ESD	IEC 61000-4-2	
Load Dump	ISO 7637-2, 173 V, 2 Ohm	
Ingression Protection	EN 60529 IP 65, IP67 DIN 40050 IP 6K9K	
Temperature	EN 60068-2-1, -14Nb, -2, -78, -30	
Vibration, Shock, Bump	IEC 60068-2-29, -64, -27, -32	

Features

All I/Os and interfaces mentioned below are protected against short circuit to GND and BAT+.

CPU Core

- 16/32-bit Infineon XC2287 microcontroller, 80 MHz, 768 kB int. Flash, 82 kB int. RAM, 512 kB ext. RAM
- 64 kbit EEPROM

Interface

- 1 x RS-232 and 1 x LIN serial interfaces
- 2 x CAN, 125 kbit/s up to 1 Mbit/s

Outputs

- 8 x digital OUT 2A high-side, PWM, configurable as timer inputs
- 8 x digital OUT 4A high-side, configurable as analog inputs

Inputs

- 8 x analog IN 0 to 5V or 4 to 20 mA / 10 bit, configured by software alternative use as resistive measurements
- 8 x analog IN 0 to 32V / 10 bit, range configurable by SW
- 4 x current feedback, configurable as digital outputs/ lowside 2 A
- 4 x digital IN (4 timer 0.1 Hz to 10 kHz)
- 8 x digital IN

Other

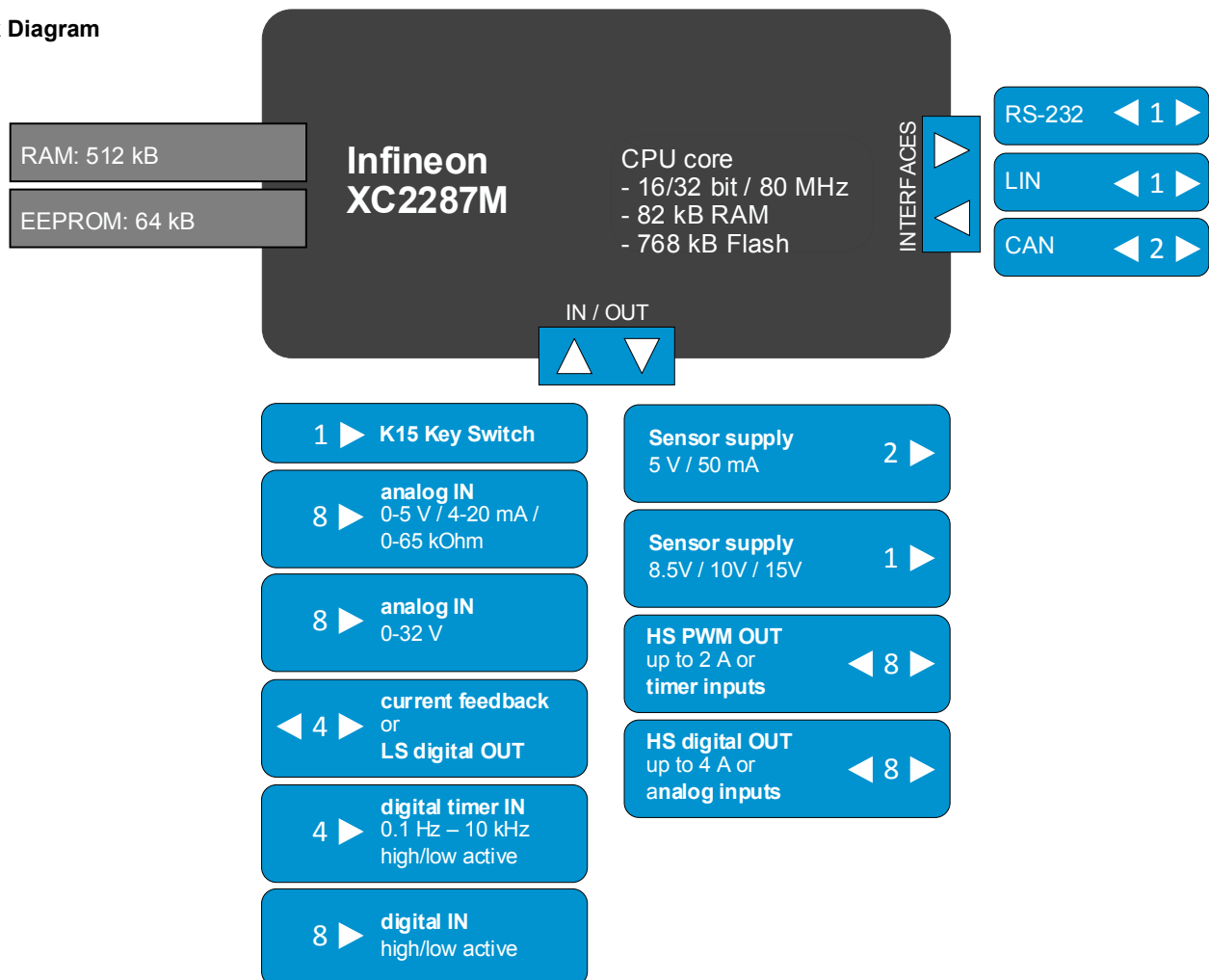
- Internal: monitoring of board temperature, sensor supply and battery
- 1 x sensor supply 8.5V/10.0V/14.5V configurable
- 2 x sensor supply 5V

Software

- CODESYS® 2.3 including support for CANopen®

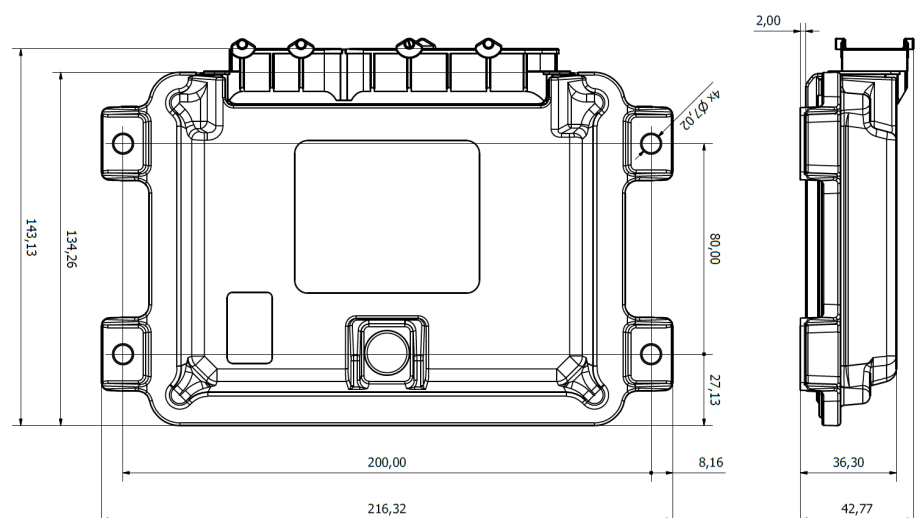


Block Diagram



Housing and Connector

- Aluminum pressure die-cast housing
- Water-proof 80-pin connector
- Pressure adjusting with water barrier



For further information, including price and availability, please contact products@ttcontrol.com

HY-TTC 60 is a product name of TTControl GmbH. CODESYS is a trademark of 3S Smart Software Solutions GmbH. All other trademarks are the property of their respective holders. To the extent possible under applicable law TTControl hereby disclaims any and all liability for the content and use of this product flyer.